



ORGANIX OX 5261

Manufacturer: RIM CZ a.s.

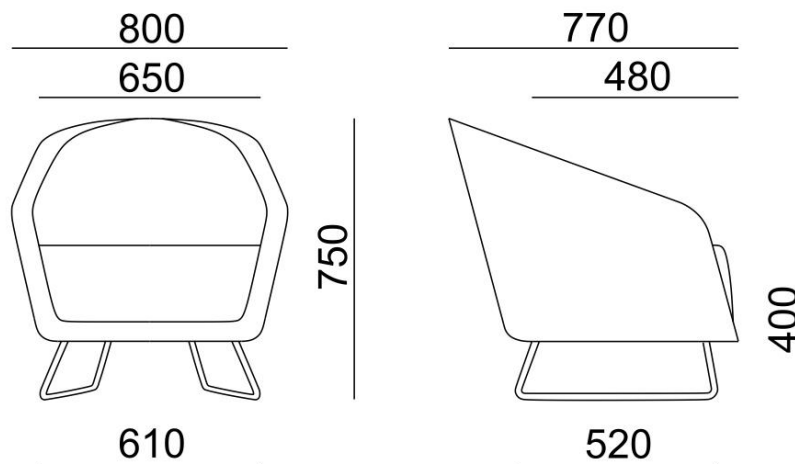
Design: Kai Stania

ORGANIX OX 5261

One-seater armchair of rounded shape perfectly fits into relaxation zones, waiting areas, lobbies, receptions or it may serve as meeting place for office areas and home offices.

Design	The armchair structure is made of wooden squared timbers and pressed wooden sandwiches upholstered with PUR foam of various thickness and bulk weight. The seat is filled with PUR foam of 110 mm in thickness and bulk weight of 55kg/m ³ . Seat, backrest and armrest are covered with fabric or leather.
Frame	The supporting frame is made of steel wire with 16 mm in diameter. Bent and welded to a steel strip with a cross-section of 60 x 5mm, forming one unit firmly screwed to the armchair from the lower face of the seating system.
Upholstery	To be selected from fabric or leather collection.
Options	<ul style="list-style-type: none">• Chrome surface treatment of frame
Warranty	5 years (see Business conditons)

Dimensions (in mm)



Concept ORGANIX



OX 5262



OX 5263